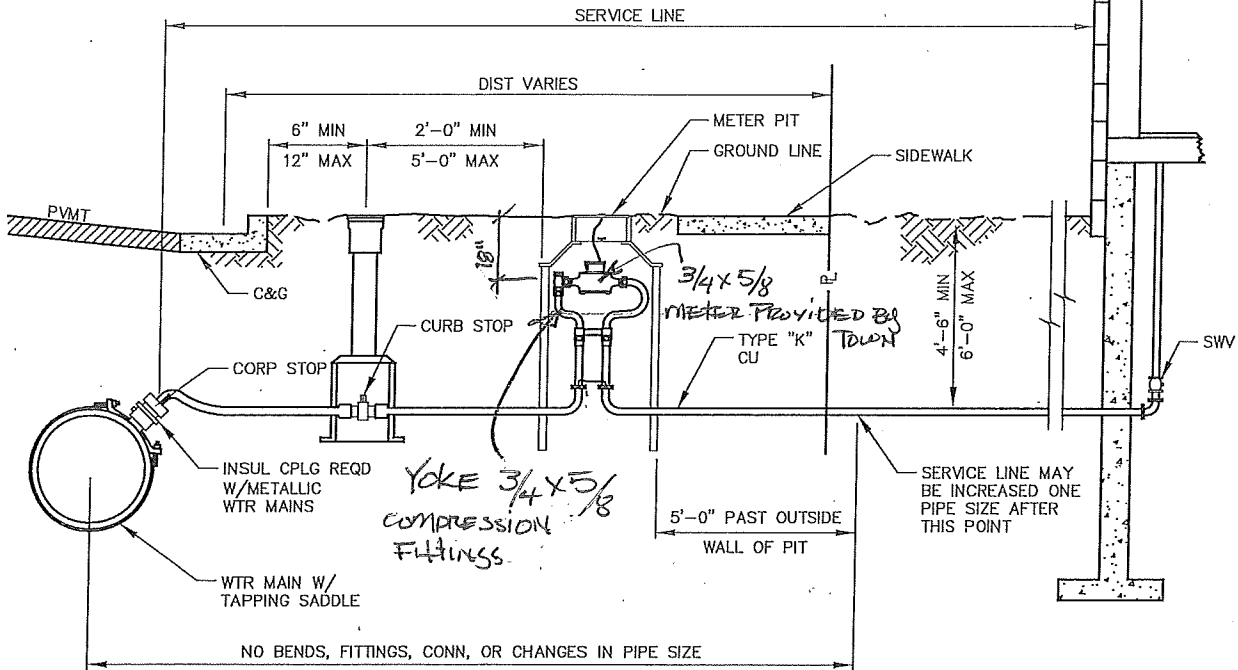
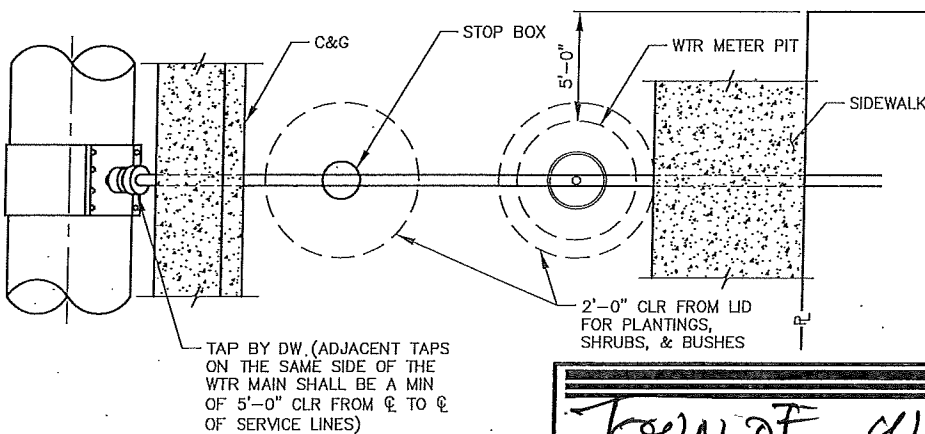


**NOTES:**

1. IF THERE IS A TREE LAWN BETWEEN THE CURB AND SIDEWALK, THE STOP BOX AND THE METER SETTING SHALL BE INSTALLED IN THE TREE LAWN. IF NO TREE LAWN EXISTS, AND THE SIDEWALK IS ADJACENT TO THE BACK OF THE CURB, THE CURB STOP BOX SHALL BE 6" TO 12" FROM THE BACK SIDE OF THE SIDEWALK.
2. THE STOP BOX SHALL BE LOCATED IN A PUBLIC RIGHT-OF-WAY, 6" TO 12" FROM THE BACKSIDE OF THE CURB OR SIDEWALK, IN A LANDSCAPED AREA, 24" FROM THE INLET SIDE OF THE METER PIT UNLESS PRIOR APPROVAL IS OBTAINED FROM THE DENVER WATER METER INSPECTOR. FOR A CURB STOP LOCATED BENEATH PAVEMENT, USE A ROADWAY BOX OVER A STANDARD STOP BOX WITH A BOND BREAKER. THE CURB STOP CANNOT BE LOCATED BENEATH PARKING AREAS.



**ELEVATION**



**PLAN**

**ERRATA 5**

*Loop of City of Denver*

**2" & SMALLER SERVICE LINE, STOP BOX, & OUTSIDE METER INSTALLATION**

Scale: <u>NONE</u>	Date: <u>November 201</u>
Drawn: <u>C.A.M.</u>	Ck: _____
Approved: _____	Dr. <u>127</u> No. <u>35</u>